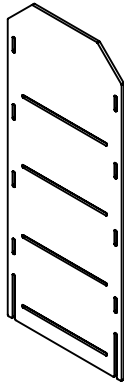


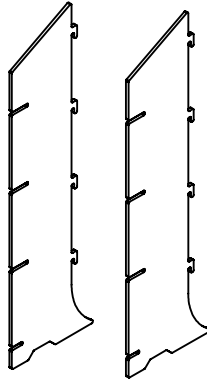
ASSEMBLY INSTRUCTIONS

READ ALL INSTRUCTIONS BEFORE YOU BEGIN. DO NOT JUMP AHEAD OF ANY STEP.

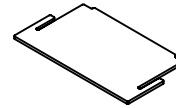
PARTS LIST:



BACK PANEL
(1 pc)



SIDE PANEL
(2 pcs)

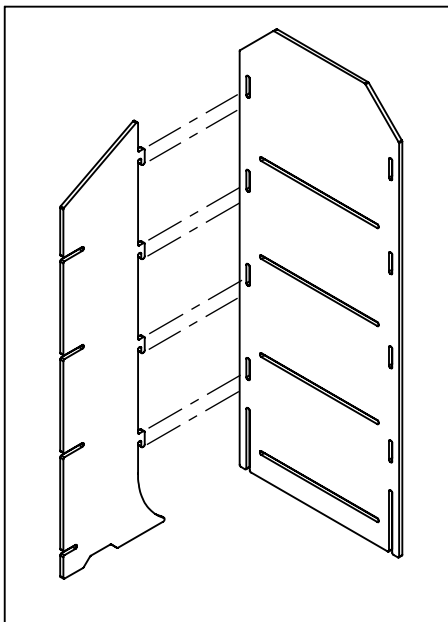


SHELF PANEL
18003, 18439 - 4x
18440 - 3x

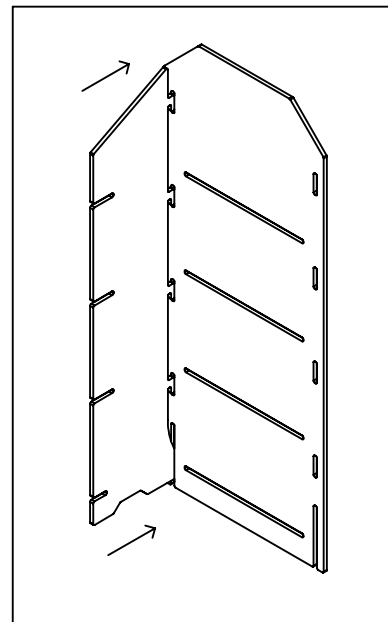
***Recommended: 2 Person Assembly**

****RECOMMENDED TOOLS : RUBBER Mallet (Sold Separately)**

STEP 1: On an even flat surface stand the Back Panel upright, as shown below. Align the hooks on one Side Panel with the corresponding slots on the Back Panel.



STEP 2: Insert the hooks of the Side Panel into the slots on the Back Panel, as shown below.

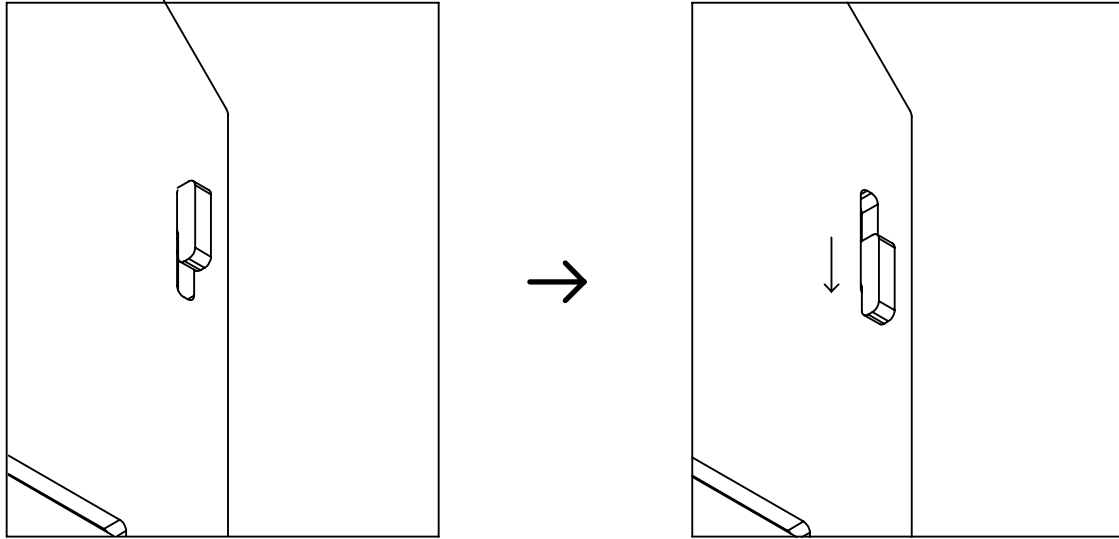


#18003, #18439, #18440 Wooden Floor Standing 4 Shelf Display with Full Back and Sides

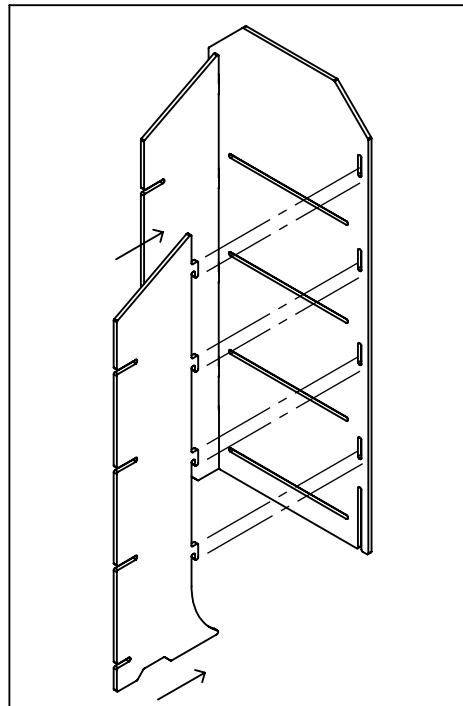
ASSEMBLY INSTRUCTIONS

READ ALL INSTRUCTIONS BEFORE YOU BEGIN. DO NOT JUMP AHEAD OF ANY STEP.

STEP 3: Slide the hooks of the Side Panel down into the slots of the Back Panel until the hooks are locked into place.



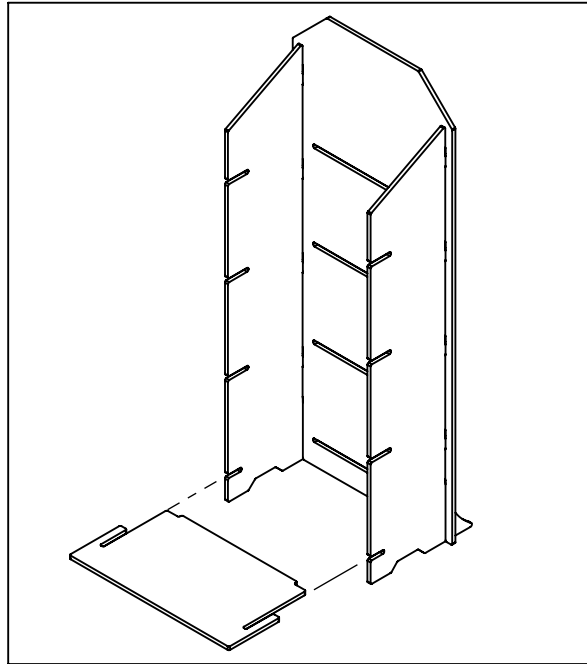
STEP 4: Repeat STEPS 1-3 to install the remaining Side Panel.



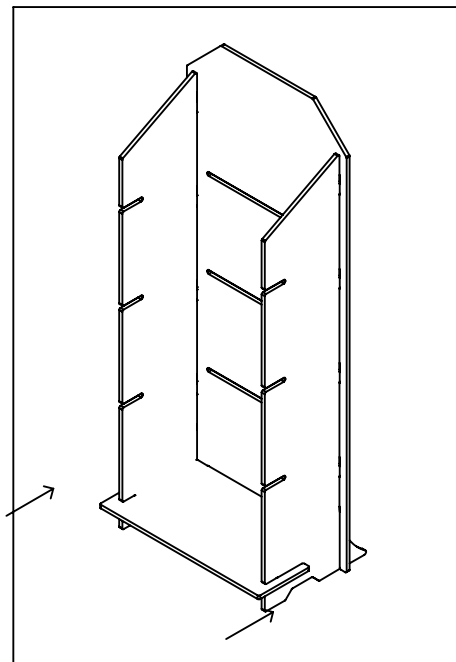
ASSEMBLY INSTRUCTIONS

READ ALL INSTRUCTIONS BEFORE YOU BEGIN. DO NOT JUMP AHEAD OF ANY STEP.

STEP 5: Align a Shelf Panel with the bottom slots of the unit, as shown below.



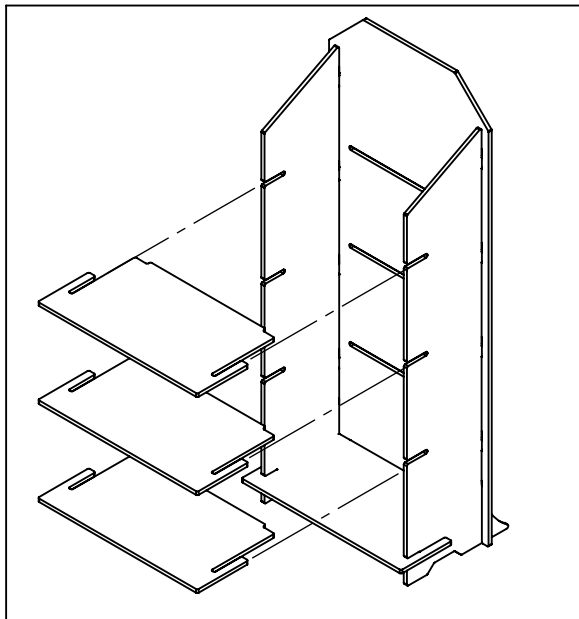
STEP 6: Slide the Shelf Panel into the bottom slots of the Side Panels until the tab on the rear of the Shelf Panel inserts into the cutouts in the Back Panel.
Note: If needed, using a rubber mallet (sold separately), gently tap the parts into place.



ASSEMBLY INSTRUCTIONS

READ ALL INSTRUCTIONS BEFORE YOU BEGIN. DO NOT JUMP AHEAD OF ANY STEP.

STEP 7: Repeat STEPS 5 and 6 to install the remaining three Shelf Panels in their corresponding slots.



ASSEMBLY COMPLETED

